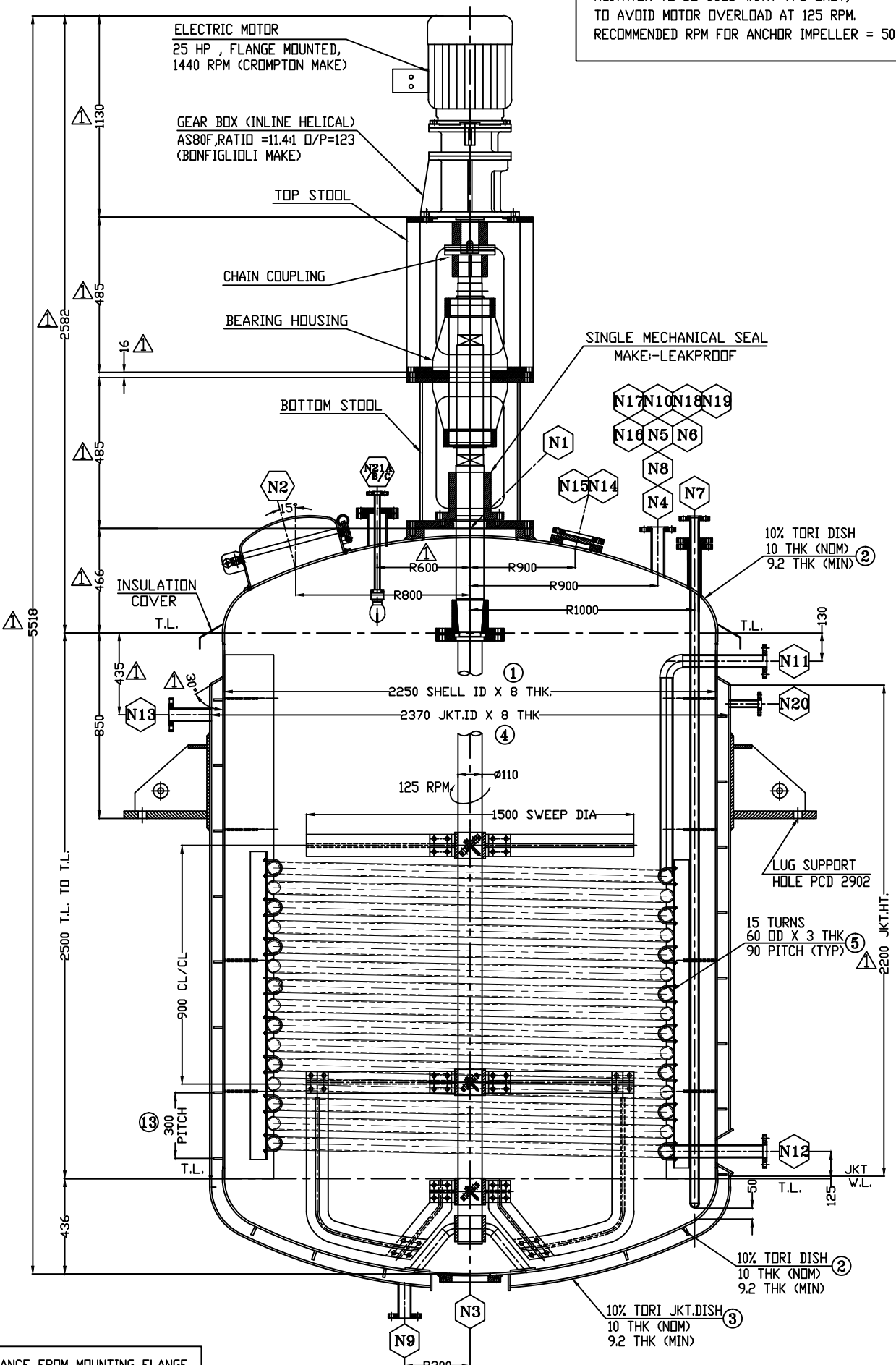


AGITATOR TO BE USED WITH VFD ONLY,
TO AVOID MOTOR OVERLOAD AT 125 RPM.
RECOMMENDED RPM FOR ANCHOR IMPELLER = 50



▲ DISTANCE FROM MOUNTING FLANGE
TO BTM.DISH (INSIDE) = 3402

ELEVATION

SCALE:-1:18